



Stainless Steel Sinks & Accessories

2MA101

Address : 5171 Steeles Ave West, Toronto M2N 3G7

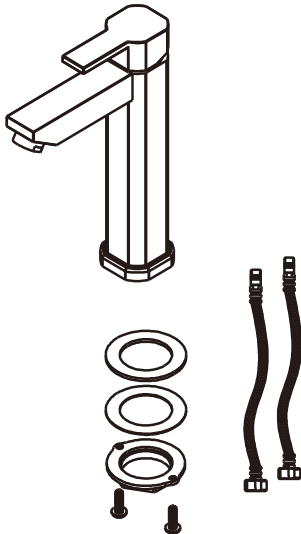
Installation Instruction

Single Handle Kitchen Faucet



Before Your Installation

Check to make sure you have the following parts indicated below:



Tools You Will Need



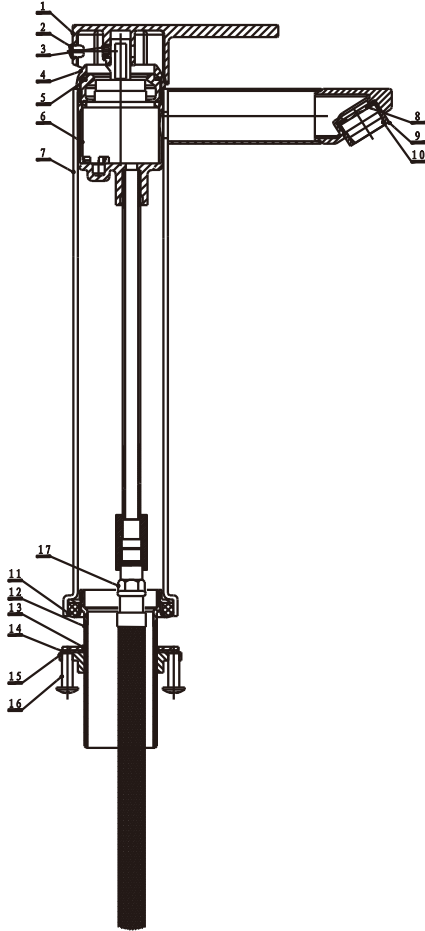
Adjustable wrench



Phillips screwdriver

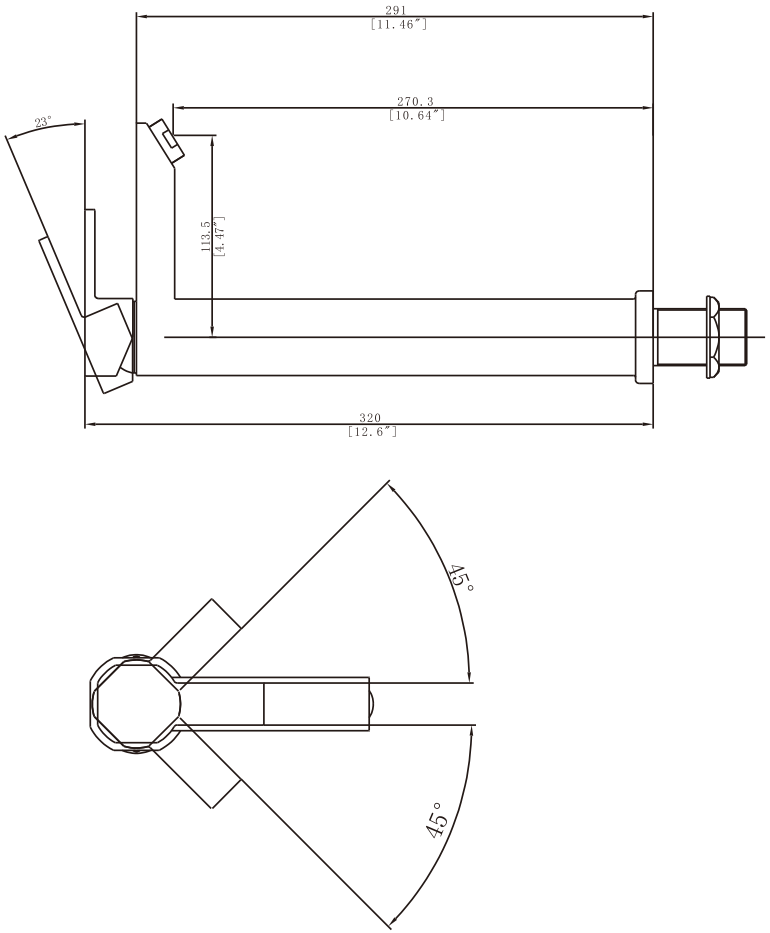
Replacement Parts

Keep this manual for ordering replacement parts.

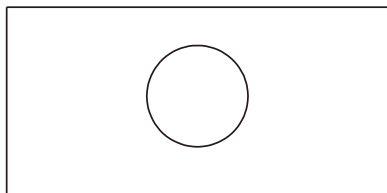
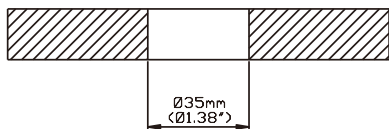


NO	NAME
1.	Knob
2.	Decorative twist
3.	Screw
4.	Cartridge holder
5.	Lock nut
6.	Cartridge
7.	Faucet body
8.	Flat washer
9.	Water nozzle
10.	Aerator
11.	U glue
12.	Threaded pipe
13.	Rubber gasket
14.	Stainless steel gasket
15.	Lock nut
16.	Lock screw
17.	Hose

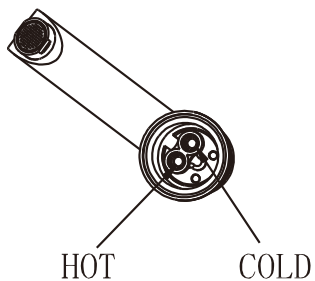
Product Dimension Drawing



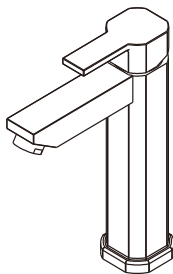
Faucet Installation Procedures



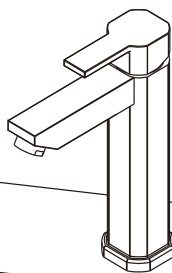
step ①



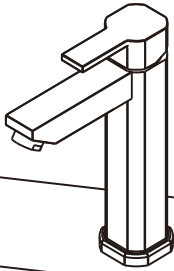
step ②



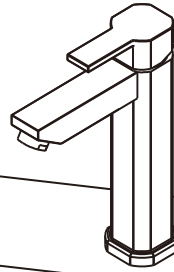
step ③



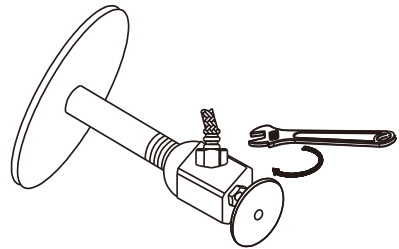
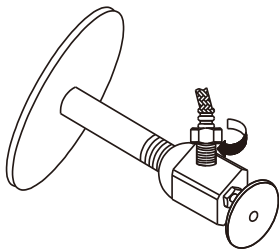
step ④



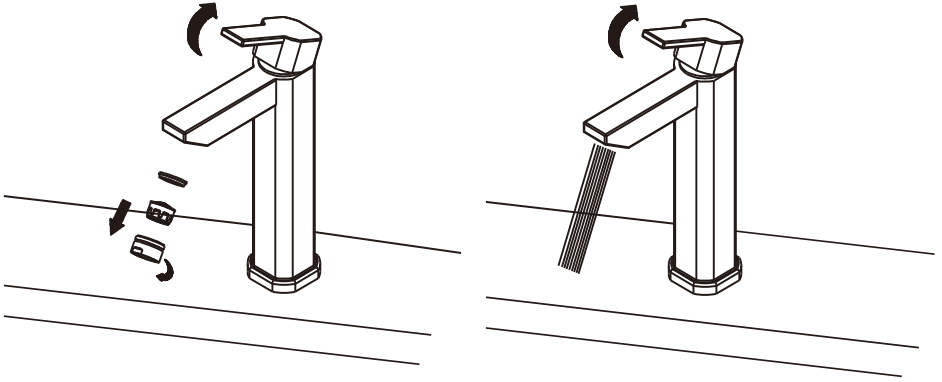
step ⑤



step ⑥



step ⑦



Notice:

Please removing all of the sand, silt and other things from the water hose before assembling, to avoid blocking the faucet and effecting water rate. Please use the special tools to disassemble it and wash with pneumatic equipment, if the faucet blocked.

step ⑧

